

QMS22T

DC~50GHz, SPDT, Terminated

Features:
 * Low VSWR
 * Low Insertion Loss
 * High Isolation

Applications:
 * Wireless
 * Transmitter
 * Laboratory Test
 * Radar

Electrical

Frequency: DC~50GHz
 Impedance: 50Ω

Frequency range (GHz)	Insertion Loss (dB)	Isolation (dB)	VSWR
DC-6	0.3	70	1.3
6-12	0.4	60	1.4
12-18	0.5	55	1.5
18-26.5	0.6	50	1.6
26.5-32	0.8	50	1.8
32-40	0.9	50	1.9
40~50	1.0	45	2.0

Voltage*1 (V)	12	24	28
Current (mA)	Failsafe 350	200	180
	Latching 400	200	185

[1] The voltage can be selected according to user requirements.

Mechanical

Size*2: 38.7*53.2*13.2mm
 1.524*2.094*0.52in

Switching Sequence: Break before Make
 Switching Time: 15mS max.
 Operation Life: 2M Cycles

Vibration (operating): 20-2000Hz, 10G RMS
 Mechanical Shock (non-operating): 30G, 1/2sine, 11mS

RF Connectors: 2.4mm Female
 Power Supply & Control Interface Connectors: Feed Through/Terminal Post

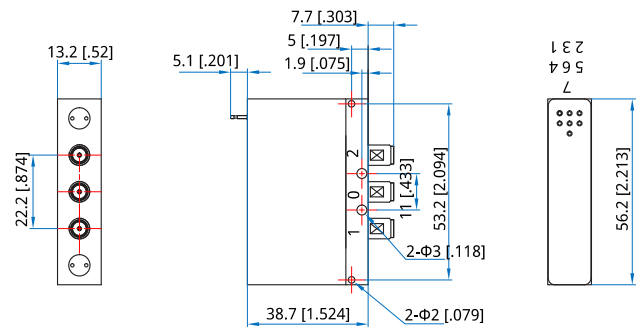
Mounting: 2-Φ3mm through-hole
 2-Φ2mm through-hole

[2] Exclude connectors.

Environmental

Temperature: -25~+65°C
 Extended Temperature: -40~+85°C

Outline Drawings



Unit: mm [in]
 Tolerance: ±0.5mm [±0.02in]

Additional Options

TTL: T
 Indicators: I
 Extended Temperature: Z
 Positive Common
 Waterproof Sealing Type

How To Order

QMS22T-F-WXYZ

F: Frequency in GHz
 W: Actuator Type. Failsafe: 0, Latching: 1.
 X: Voltage. +12V: E, +24V: K, +28V: M.
 Y: Power Interface. Pin: 0, D-Sub: 1.
 Z: Additional Options.

Examples:

To order a SPDT terminated switch, DC-18GHz, Failsafe, +12V, D-Sub, TTL, Indicators, specify QMS22T-18-0E1TI.

Customization is available upon request.

Driving Schematic Diagram

Pin Numbering

Failsafe

Pin	Function	Pin	Function
1	VDC(RF: 0 to 2)	4~5	Indicator (1~2)
2	NC	6	Indicator (COM)
3	COM(RF: 0 to 2)	7~9	NC

Latching

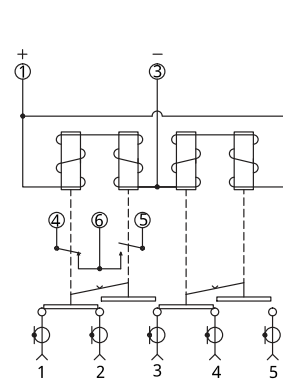
Pin	Function	Pin	Function
1	VDC(RF: 0 to 1)	4~5	Indicator (1~2)
2	VDC(RF: 0 to 2)	6	Indicator (COM)
3	COM	7~9	NC

Failsafe&TTL

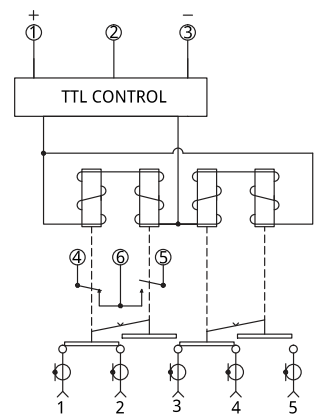
Pin	Function	Pin	Function
1	VDC(RF: 0 to 2)	4~5	Indicator (1~2)
2	A1(RF: 0 to 2)	6	Indicator (COM)
3	COM(RF: 0 to 2)	7~9	NC

Latching&TTL

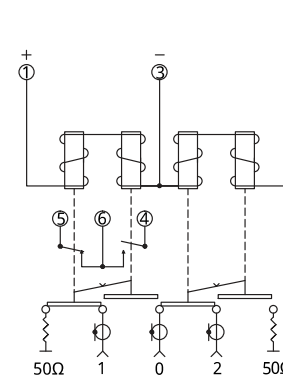
Pin	Function	Pin	Function
1	VDC	4	A2(RF: 0 to 2)
2	A1(RF: 0 to 1)	5~6	Indicator (1~2)
3	COM	7	Indicator (COM)



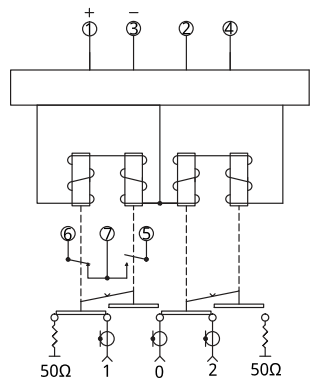
Failsafe



Failsafe+TTL



Latching



Latching+TTL